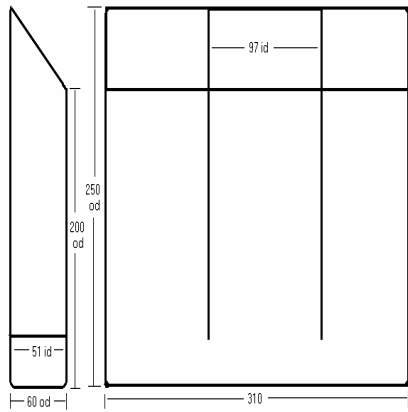


# Mainline Plastics (WA) Pty Ltd

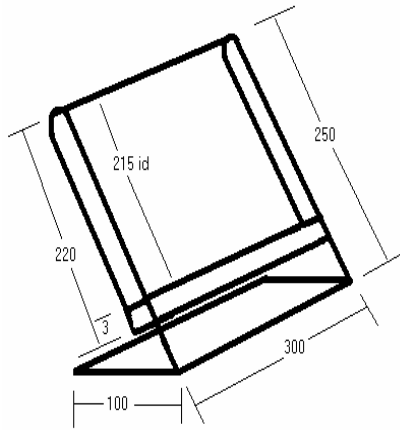
Incorporating Menzels Products  
 ABN. 55 097 546 720

Unit 5, 13-15 Harvard Way  
 P O Box 1172  
 CANNING VALE WA 6155  
 Ph. (08) 9256 2011  
 Fx. (08) 9256 2022  
[mainplas@inet.net.au](mailto:mainplas@inet.net.au)



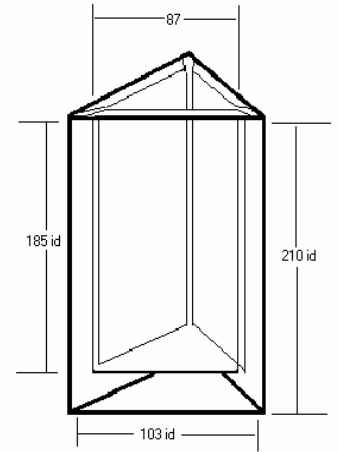
345033

3 Pocket Timetable holder



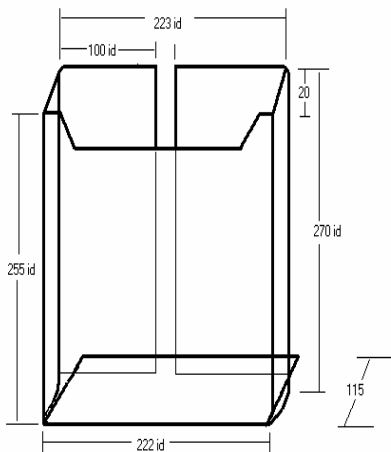
345050

A4 L/S Menu S/Side 3mm spacer



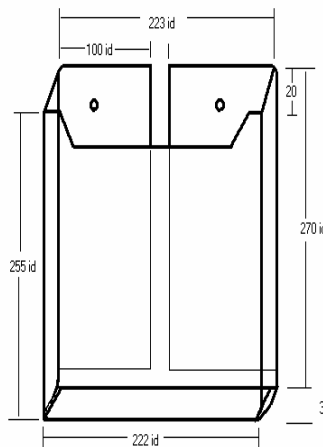
345082

Triangle Menu 1/3 A4 Holder



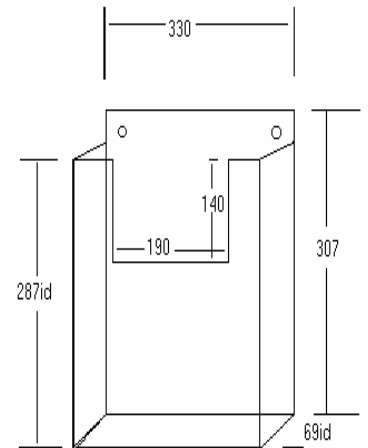
346014

A4 Broch F/Fold Counter Std



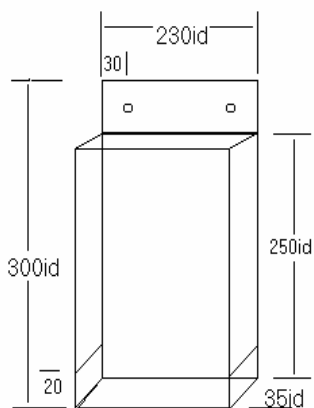
346015

A4 Broch F/Fold wall mount



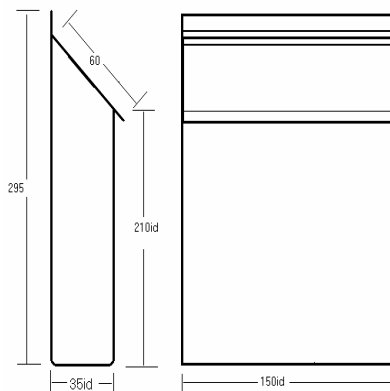
346016

A4 File Holder Wall Mount



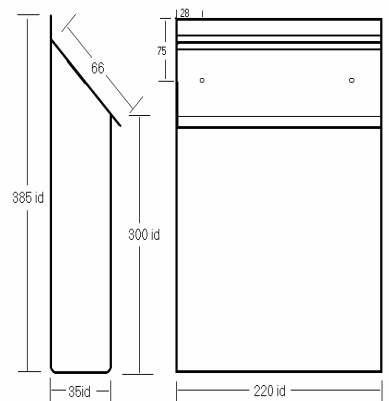
346017

A4 File Holder Soames 3mm Clr



346018

External A5 Brochure Holder



346019

External A4 Brochure Holder